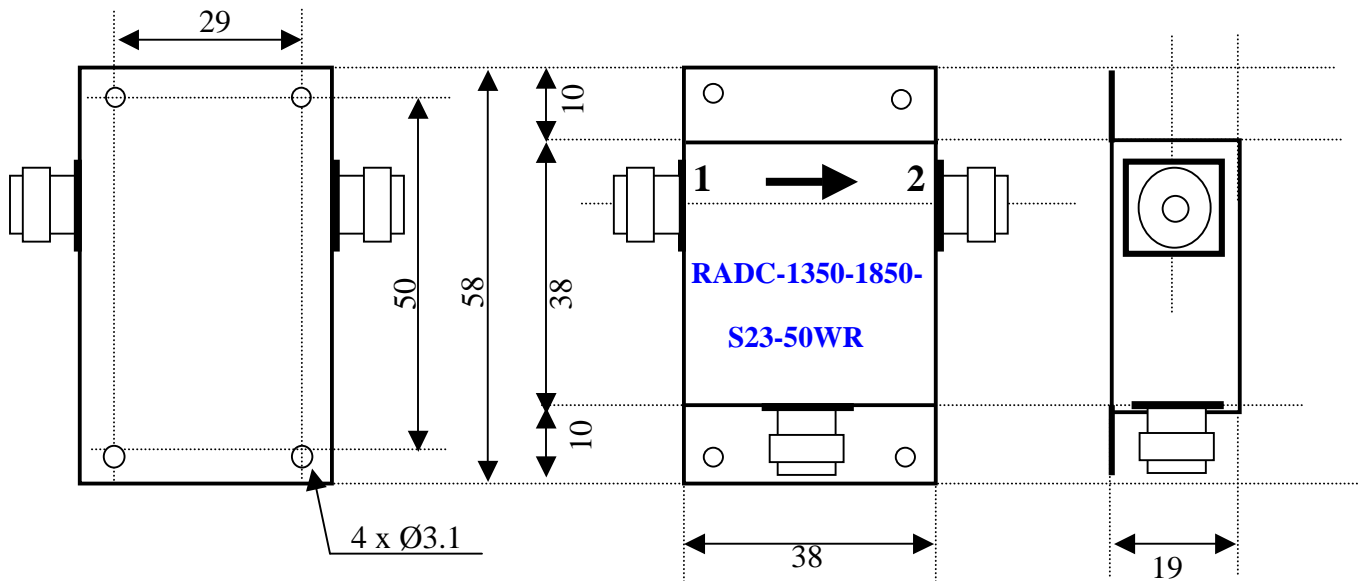


RADITEK

RADI-1350-1850M-S3-50WR (Full Bandwidth)
RADC-1350-1850M-S23-50WR (Full Bandwidth)



Units: mm

N-connector options (X)		
Port 1	Port2	Option:
Female	Male	1
Male	Female	2
Female	Female	3
Male	Male	4

Tolerance (unless stated otherwise):	
Hole diameter	±0.004
Dimenesions	±0.015
Machined surfaces	63√
Flatness	±0.001/inch
Bend radius	1/32 inch

Specifications:		
Frequency	1350-1850	MHz
Insertion loss	0.5	dB (maximum)
Isolation	20	dB (minimum)
VSWR	1.35	Maximum
Rated power (reverse power in load)	50	Watts (average)
Operating temperature	-30 to +65	Watts (average)